

NATIONAL INSTITUTE OF TECHNOLOGY KARNATAKA, SURATHKAL

Department of Metallurgical & Materials Engineering

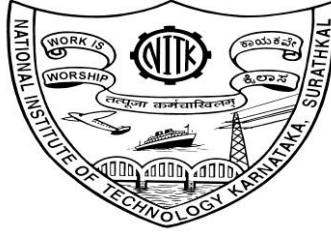
POST SRINIVASNAGAR, MANGALORE – 575 025 (D K)

Phone: (0824) 2474000.

Fax: (0824) 2474033

E- mail: info@nitk.ac.in

Website: <http://www.nitk.ac.in>

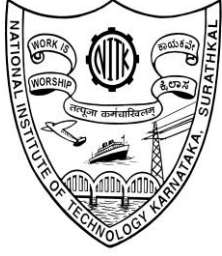


NOTICE INVITING QUOTATION

Notification. No: **Met-Mat/SRH /SDPM /LEM/282 /2022-23/04**

dated: 13/04/2023

Name of Goods	Furniture (Table and Chair)
Estimated Amount:	Rs.80,000/- (including GST)
Time for Supply of item after release of Purchase order	30 (Days)
Document Download / Sale Start Date	13/04/2023 @ 5.30 PM
Clarification Start Date	13/04/2023 @ 5.30 PM
Clarification End Date	17/04/2023 @ 5.30 PM
Bid Submission Start Date	13/04/2023 @ 5.30 PM
Last Date for submission of bids	25/04/2023 before 3.00 PM
Bid Opening Date	26/04/2023 @ 3.30 PM
Address for Submission of bids	<p>Dr. Subray R Hegde Associate Professor Department of Metallurgical and Materials Engg. National Institute of Technology, Karnataka Dakshina Kannada – 575 025 hegdesr@nitk.ac.in 0824-2473763</p>



NATIONAL INSTITUTE OF TECHNOLOGY KARNATAKA, SURATHKAL

Department of Metallurgical & Materials Engineering

POST SRINIVASNAGAR, MANGALORE – 575 025

Phone: (0824) 2474000

Fax: (0824) 2474033

E- mail: info@nitk.ac.in

Website: <http://www.nitk.ac.in>

Notification No:**Met-Mat/SRH /SDPM /LEM/282 /2022-23/04**

dated: 13/04/2023

NOTICE INVITING QUOTATION (NIQ)

The National Institute of Technology Karnataka, Surathkal (in short – NITK, Surathkal) is an Institute Of National Importance Under Ministry of Education Govt of India, imparting Technical Education and engaged in Research Activities. It is proposed to procure the items for the departmental academic/research activities.

Sealed Quotations as per the Price Schedule given in this NIQ are invited for the following items subject to the terms and conditions, from the reputed manufacturers or its authorised dealers so as to reach on or before scheduled date and time. The quotations in the firm's Business letter head should be address to the "Director, NITK, Surathkal". The envelope shall be superscribed with the Quotation Notification Number and the Name of the Goods for which quotation is submitted.

Name of Goods	Furniture (Table and Chair)
Estimated Amount:	Rs.80,000/- (including GST)
Time for Supply of item after release of Purchase order	30 (Days)
Document Download / Sale Start Date	13/04/2023 @ 5.30 PM
Clarification Start Date	13/04/2023 @ 5.30 PM
Clarification End Date	17/04/2023 @ 5.30 PM
Bid Submission Start Date	13/04/2023 @ 5.30 PM
Last Date for submission of bids	25/04/2023 before 3.00 PM
Bid Opening Date	26/04/2023 @ 3.30 PM

Sd/-
[HOD]

Note: Institute shall not be responsible for any postal delay about non-receipt /non-delivery of the bids or due to wrong addressee.

SECTION-1
Terms and Conditions

1. The rates should be quoted for preferably FOR destination from supply within India.
2. The bidder shall indicate the excise duty exemption for the goods if applicable.
3. The rate quoted should be on unit basis. Taxes and other charges should be quoted separately, considering exemptions if any. The rate should be quoted in INR only
4. Rate quoted should be inclusive of Testing, commissioning and Installation of equipment and Training.
5. Payment: No advance payment will be made. Payment will be made only after the supply of the item in good and satisfactory condition and receipt of performance security by supplier.
6. Guarantee/Warranty period should be specified for the complete period should be specified in section 3 of this tender document.
7. Period requirement for the supply and installation of item should be specified in section 3 of this tender document.
8. In case of dispute, the matter will be subject to Mangalore Jurisdiction only.

SECTION-2
SCHEDULE OF REQUIREMENTS, SPECIFICATIONS AND ALLIED DETAILS
[To be filled up by the Department / Centre of NITK, Surathkal]

Item(s) Name to be Procured : Furniture (Table and Chair)

Brief Specifications of the Item(s)
(Attach Additional Sheet if necessary) : attached

Quantity : 1 set

Any other details / requirement : ---

Warranty Period required : 1 year

Delivery Schedule expected
after placement of Purchase order
(in Weeks) : 5 weeks

SECTION 3
PRICE SCHEDULE

[To be used by the bidder for submission of the quotation]

-
1. Item Name :
 2. Specifications
(Conforming to Schedule of requirements
Enclose additional sheets if necessary) :
 3. Currency and Unit Price :
 4. Quantity :
 5. Item Cost (Sl No. 3 * Sl. No. 4) :
 6. Taxes and Other Charges :
(i) Specify the type of taxes and duties
in percentages and also in figures.
(ii) Specify Other Charges in figures.
 7. **Warranty Period** :
(Conforming to the Schedule of requirements)
 8. Delivery Schedule :
(Conforming to the Schedule of requirements)
 9. Name and address of the Firm for
placing purchase order :
 10. Name and address of Indian authorized
agent (in case of imports only) :

Signature of the Bidder: _____

Name and Designation: _____

Business Address : _____

Place:

Date:

Seal of the Bidder's Firm

SECTION 4
CONTRACT FORM

[To be provided by the bidder in the business letter head]

1. (Name of the Supplier's Firm) hereby abide by the delivery schedule mentioned in this document for supply of the items if the purchase order is awarded.
2. The item will be supplied conforming to the specifications stated in this document without any defect and deviations.
3. Warranty will be given for the period mentioned in this document and service will be rendered to the satisfaction of NITK, Surathkal during this period.

Signature of the Bidder: _____

Name : _____

Business Address : _____

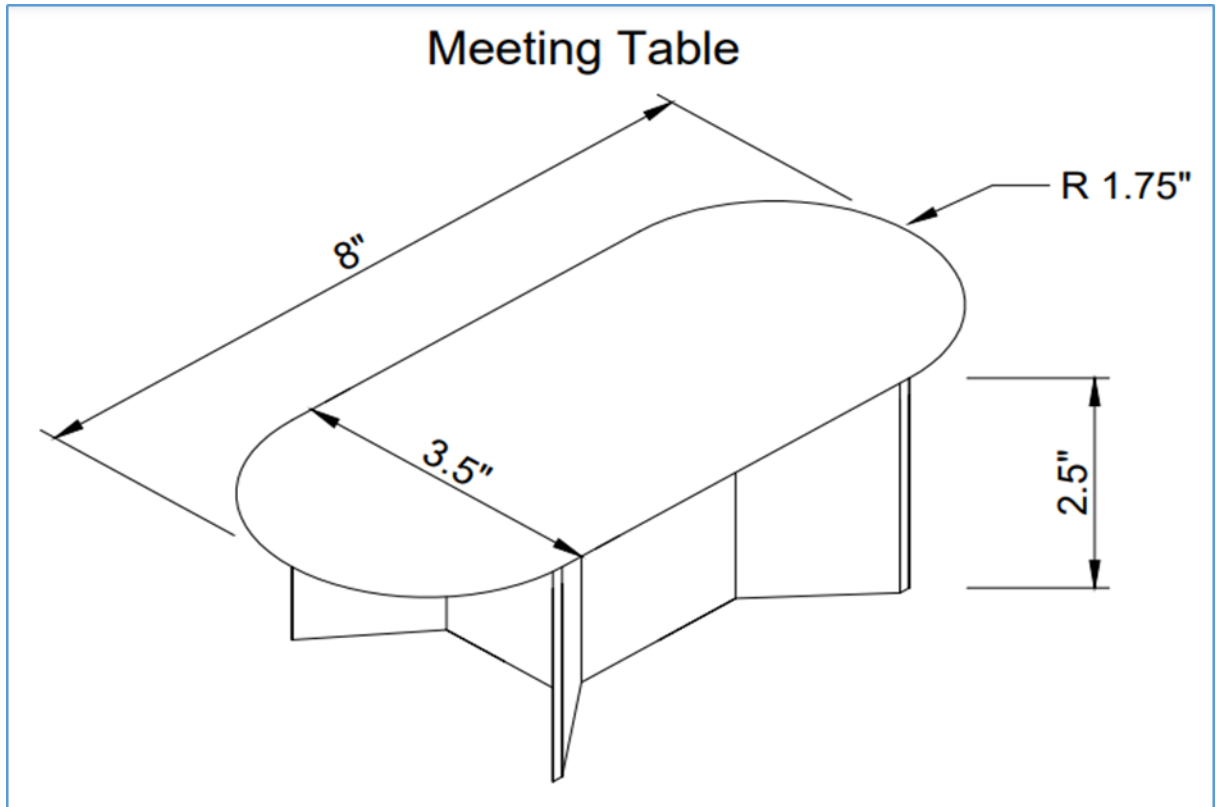
Place :
Date :

Seal of the Bidder's Firm

Specifications

Item: Furniture (Table & Chair)

1. Meeting Table- Qty- 1 No.



1. Made by Using 16mm Marine plywood BWP 710 grade.
2. 40mm thick Top.
3. 16mm thick all support legs.
4. External Laminate 1mm.
5. Internal Laminate 0.8mm
6. Top edges 2mm Edgeband
7. Leg edges 0.8mm.

2. Revolving Office Executive Chairs – Qty- 6 Nos.



1. Revolving Office Executive Chair with Center Tilt Mechanism
2. Revolving Office Executive Chair should be stable and comfortable.
3. Medium Back Rest.

Warranty: 1 year

The supplier should provide replacement or repair service for damaged parts during warranty period.

Delivery and setup must be done by the supplier.